



McElroy Manufacturing, Inc.  
The leader by design.  
Tulsa, Oklahoma U.S.A.

DRAWN: ARB    CHECK: TKD    APPRVD: SWB    DATE: 10/20/06    SHT No: 3A    REV No: F    PART No: DL6303

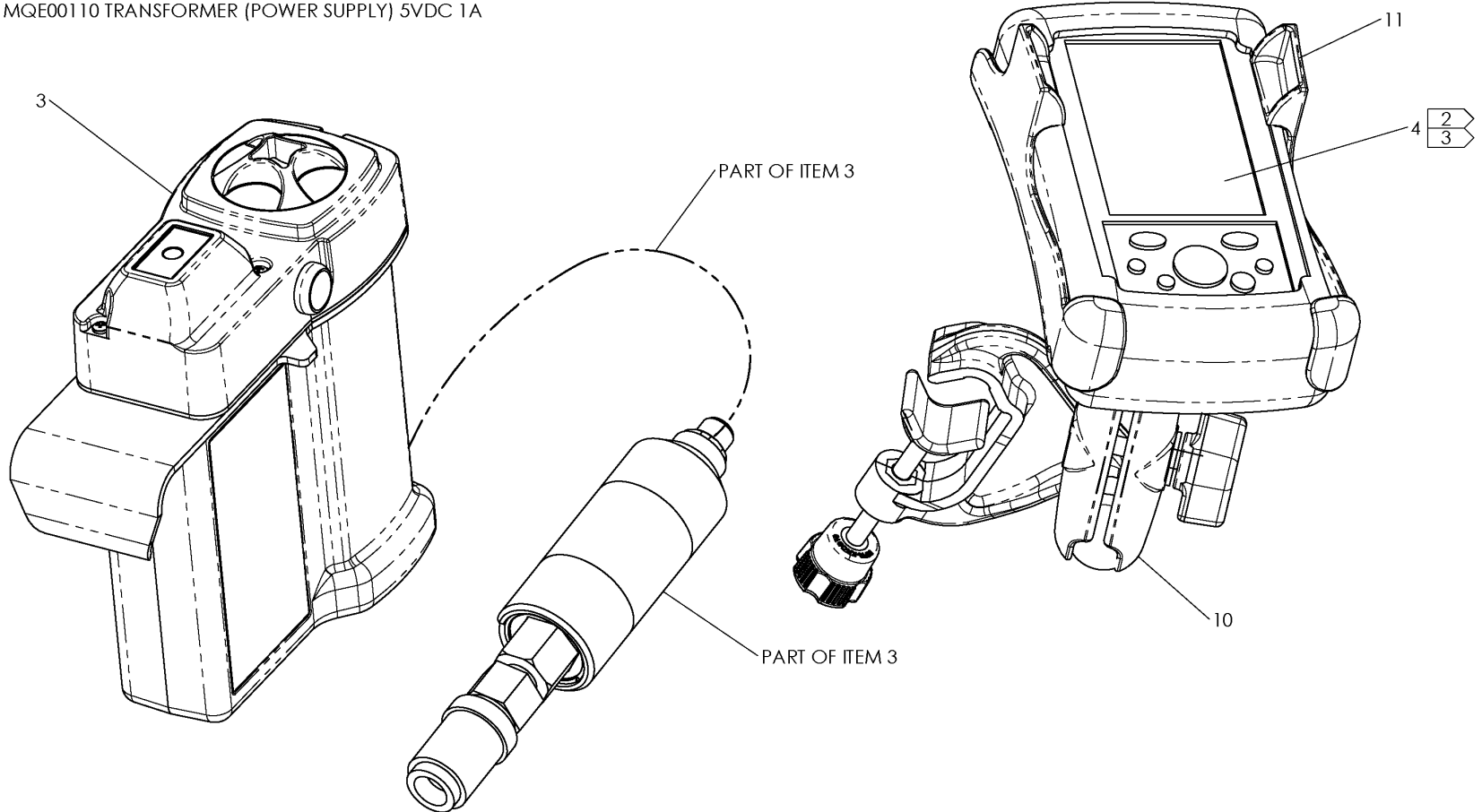
DataLogger® PACKAGE 120/240V,60Hz, 1Ph W/RUGGED PPC

NOTE: THIS DRAWING AND THE INFORMATION CONTAINED THEREIN IS THE CONFIDENTIAL AND PROPRIETARY PROPERTY OF McElroy Manufacturing, Inc. THE DRAWING IS NOT TO BE REPRODUCED IN ANY MANNER, SUBMITTED TO OUTSIDE PARTIES FOR EXAMINATION, OR USED DIRECTLY OR INDIRECTLY FOR THE PURPOSES OTHER THAN THOSE FOR WHICH IT WAS FURNISHED WITHOUT WRITTEN PERMISSION OF McElroy Manufacturing, Inc.

NOTES:

1. PLACE ALL ITEMS GOING IN CASE ORGANIZER IN ZIP-LIP 10" x 12" PLASTIC BAG
2. ITEM 4 INCLUDES COMPUTER MANUAL, BATTERY CHARGER BATTERY. SNYC. CABLE.
3. OPTIONAL ACCESSORIES AND SPARES NOT SHOWN INCLUDE.

- MQE00077 PRINTER
- MKG00029 PRINTER BATTERY PACK
- MQE00075 PRINTER A.C. ADAPTER
- MQE00076 PRINTER PAPER
- MQE00105 POWER BOOT MODULE (BATTERY)
- MQE00106 STYLUS PENS
- MQE00110 TRANSFORMER (POWER SUPPLY) 5VDC 1A





McElroy Manufacturing, Inc.

The leader by design.

Tulsa, Oklahoma U.S.A.

DRAWN: ARB

CHECK: TKD

APPRVD: SWB

DATE: 10/20/06

SHT No: 3B

REV No: F

PART No: DL6303

DataLogger® PACKAGE 120/240V, 60Hz, 1Ph W/RUGGED PPC

NOTE: THIS DRAWING AND THE INFORMATION CONTAINED THEREIN IS THE CONFIDENTIAL AND PROPRIETARY PROPERTY OF McElroy Manufacturing, Inc. THE DRAWING IS NOT TO BE REPRODUCED IN ANY MANNER, SUBMITTED TO OUTSIDE PARTIES FOR EXAMINATION, OR USED DIRECTLY OR INDIRECTLY FOR THE PURPOSES OTHER THAN THOSE FOR WHICH IT WAS FURNISHED WITHOUT WRITTEN PERMISSION OF McElroy Manufacturing, Inc.

