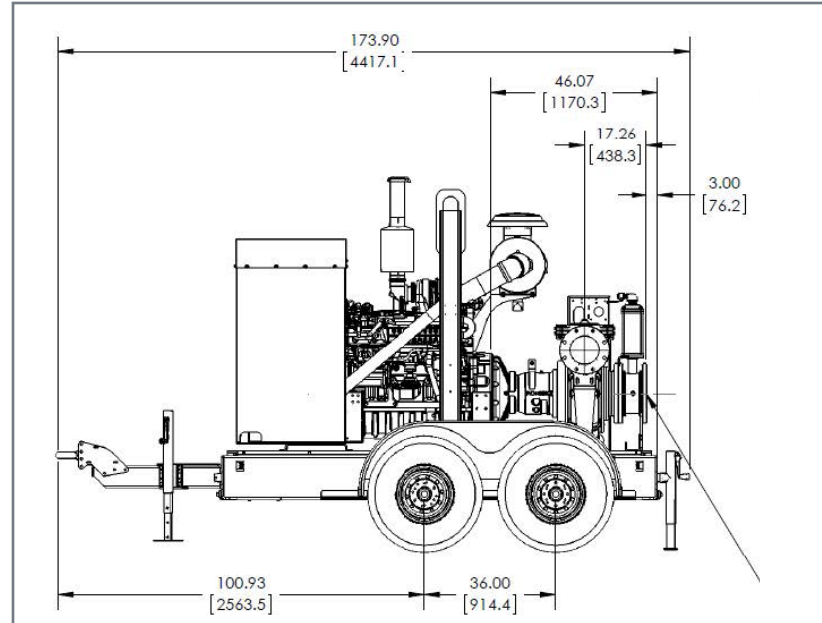




Vacuum Assisted Centrifugal Pump

Pioneer Venturi Prime Vacuum Assisted Centrifugal Pump

Spec Sheet for Model VP108S17L71-6090HF485



Features

- Indefinite Run-Dry Capability
- Environmentally Safe Priming System
- Automatic Engine Start/Stop Controls
- Panel Mounted Vacuum & Pressure Gauges

Pump Package Overview

Suction Size	10 Inch
Discharge Size	8 Inch
Max Flow	6,900 USgpm
Max Head	306 feet (133 psi)
Solids Size	3.5 inches
Max Speed	1,780 RPM
Trailer Weight	Dry: 7,400 lbs
Trailer Brakes	Electric
Trailer Hitch	Bumper Pull with Pintle

Engine Controls

Murphy MPC-10 L2

Fully Programmable Automatic Start/Stop
Accepts inputs from transducers, in addition to standard level control floats

Engine Specifications

John Deere	6090HF485, 6 Cylinder Diesel Engine
Displacement	9.0 L, 548.0 cubic inches
Fuel Tank, Typical	185 US Gal
Fuel Consumption	15.63 GPH @ 1800 RPM
Continuous Horsepower	315 HP @ 1800 RPM
Operating Time	11.8 hours
Safety Shut Down Switches	Low Oil Pressure, High Temperature and V-Belt Failure
Instrument Panel	Oil Pressure Gauge, Ampmeter, Hourmeter, and Tachometer

Materials of Construction

Impeller: 16.38"	ASTM A744 CA6NM Stainless Steel
Shaft	17-4 PH Stainless Steel
Wear Ring	ASTM A48 Class 40 Gray Iron
Suction Cover	ASTM A536 Grade 65-45-12 Ductile Iron
Volute	ASTM A536 Grade 65-45-12 Ductile Iron
Mech Seal	Tungsten Carbide vs. Silicon Carbide Seal Faces
Brac-plate	ASTM A536 Grade 65-45-12 Ductile Iron

Pioneer Venturi Priming System

Priming System	Air Compressor with Venturi Eductor Valve
Air Removal Capability	13 CFM
Priming Chamber	Positive sealing air separation PosiValve™ with stainless steel Float ball & linkage.
Discharge Check Valve	Swing Style - Ductile Iron with Buna-n Disc

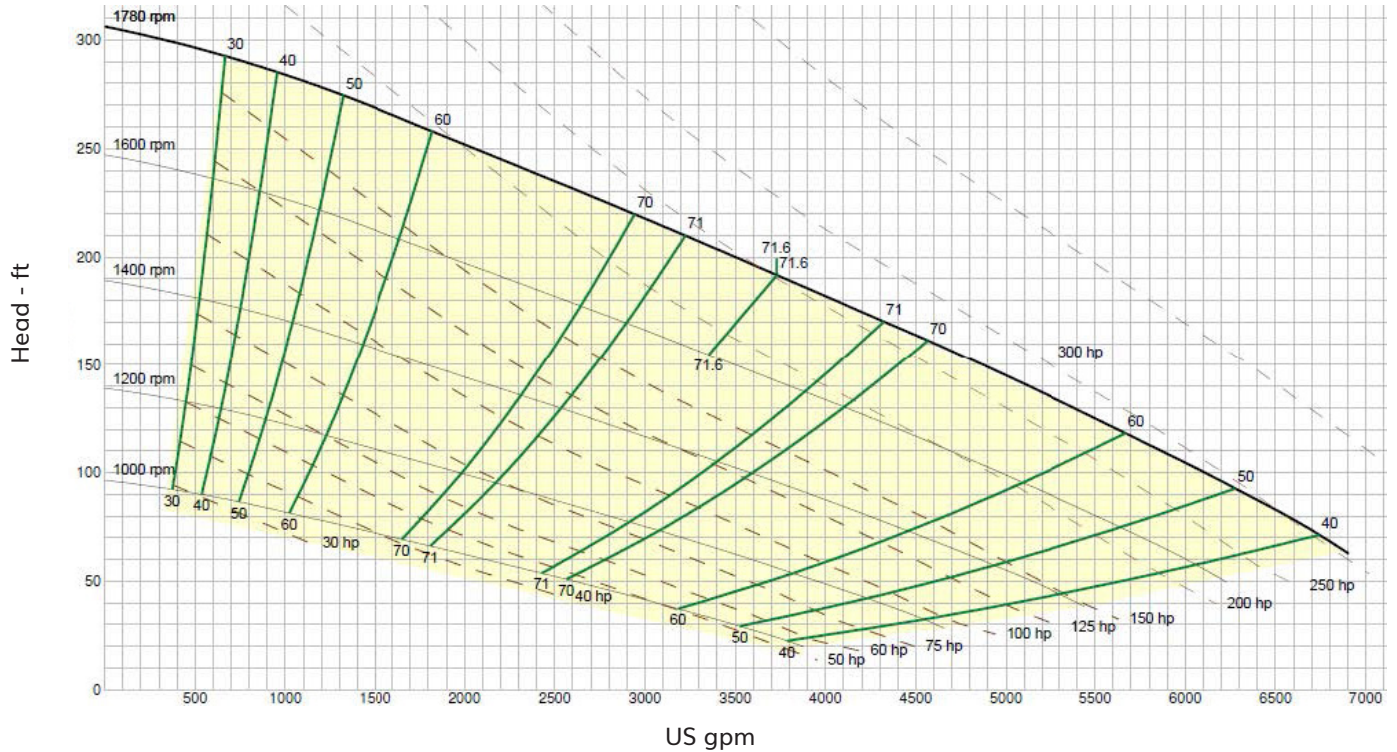


Contact Us Today at 1-855-955-CCIS (2247) or Visit CrossCountryIS.com

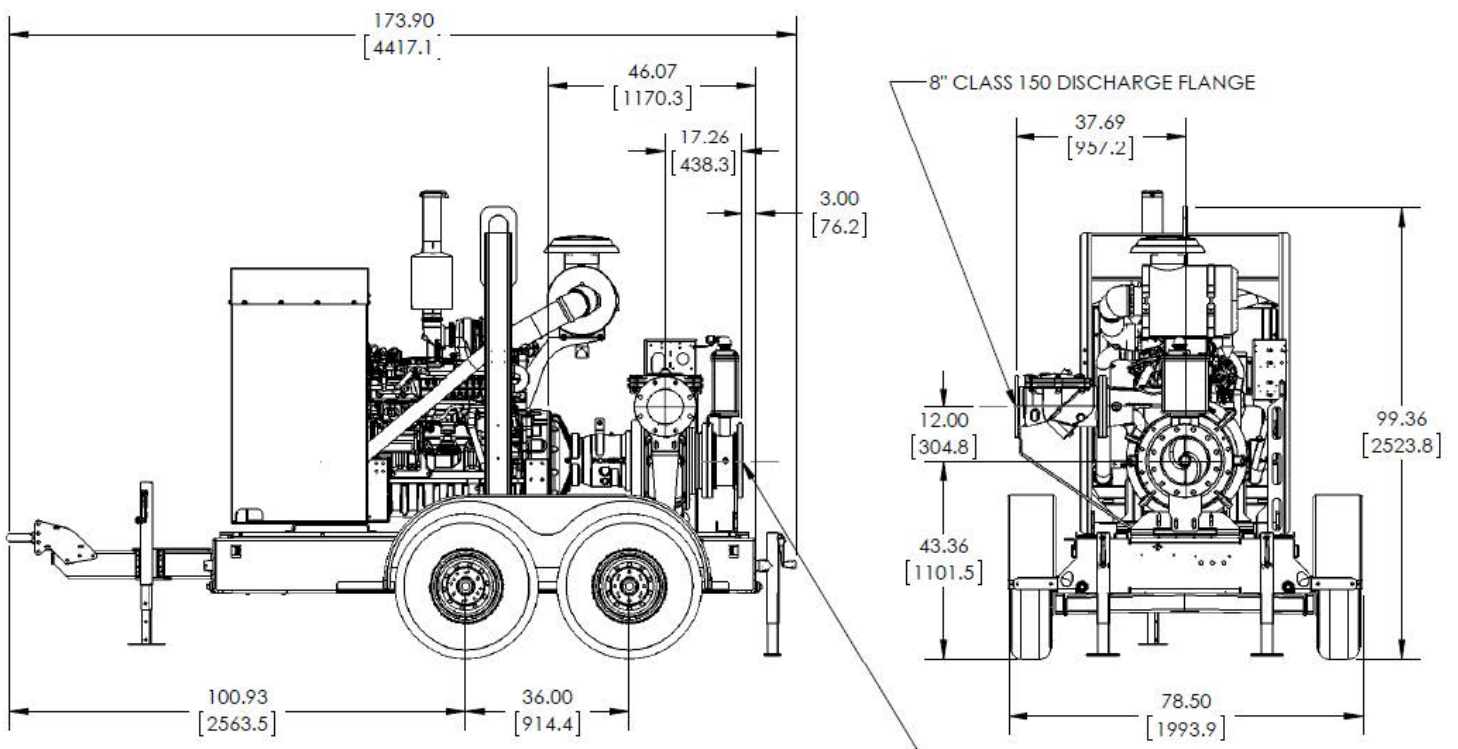
Specification Data

Pioneer Venturi Prime - Vacuum Assisted Centrifugal Pump, Diesel-Driven Package

Performance Curve



Mechanical Drawing



Contact Us Today at **1-855-955-CCIS (2247)** or Visit **CrossCountryIS.com**