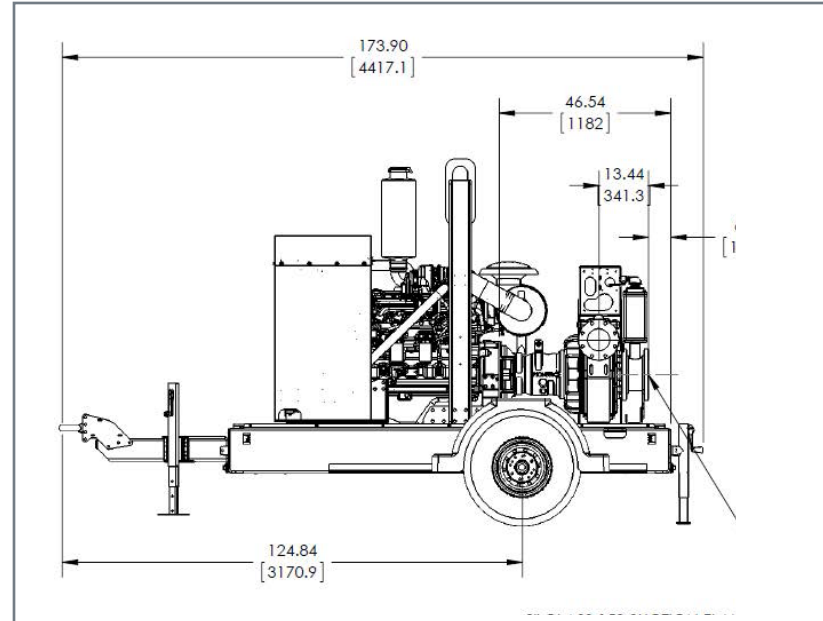




# Vacuum Assisted Centrifugal Pump

## Pioneer Venturi Prime Vacuum Assisted Centrifugal Pump

### Spec Sheet for Model VP86S17L71-6068HF485



### Features

- Indefinite Run-Dry Capability
- Environmentally Safe Priming System
- Automatic Engine Start/Stop Controls
- Panel Mounted Vacuum & Pressure Gauges

### Pump Package Overview

Suction Size	8 Inch
Discharge Size	6 Inch
Max Flow	3,990 USgpm
Max Head	304 feet (132 psi)
Solids Size	3.0 inches
Max Speed	1,780 RPM
Trailer Weight	Dry: 7,700 lbs
Trailer Brakes	Electric
Trailer Hitch	Bumper Pull with Pintle

### Engine Controls

Murphy MPC-10 L2

Fully Programmable Automatic Start/Stop  
Accepts inputs from transducers, in addition to standard level control floats

### Engine Specifications

John Deere	6068HF485, 6 Cylinder Diesel Engine
Displacement	6.8 L, 414.0 cubic inches
Fuel Tank, Typical	135 US Gal
Fuel Consumption	11.1 GPH @ 1800 RPM
Continuous Horsepower	226 HP @ 1900 RPM
Operating Time	12.1 hours
Safety Shut Down Switches	Low Oil Pressure, High Temperature and V-Belt Failure
	Oil Pressure Gauge, Ampmeter, Hourmeter, and Tachometer

### Materials of Construction

Impeller: 15.75"	ASTM A744 CA6NM Stainless Steel
Shaft	17-4 PH Stainless Steel
Wear Ring	ASTM A48 Class 40 Gray Iron
Suction Cover	ASTM A536 Grade 65-45-12 Ductile Iron
Volute	ASTM A536 Grade 65-45-12 Ductile Iron
Mech Seal	Tungsten Carbide vs. Silicon Carbide Seal Faces
Brac-plate	ASTM A536 Grade 65-45-12 Ductile Iron

### Pioneer Venturi Priming System

Priming System	Air Compressor with Venturi Eductor Valve
Air Removal Capability	13 CFM
Priming Chamber	Positive sealing air separation PosiValve™ with stainless steel Float ball & linkage.
Discharge Check Valve	Swing Style - Ductile Iron with Buna-n Disc

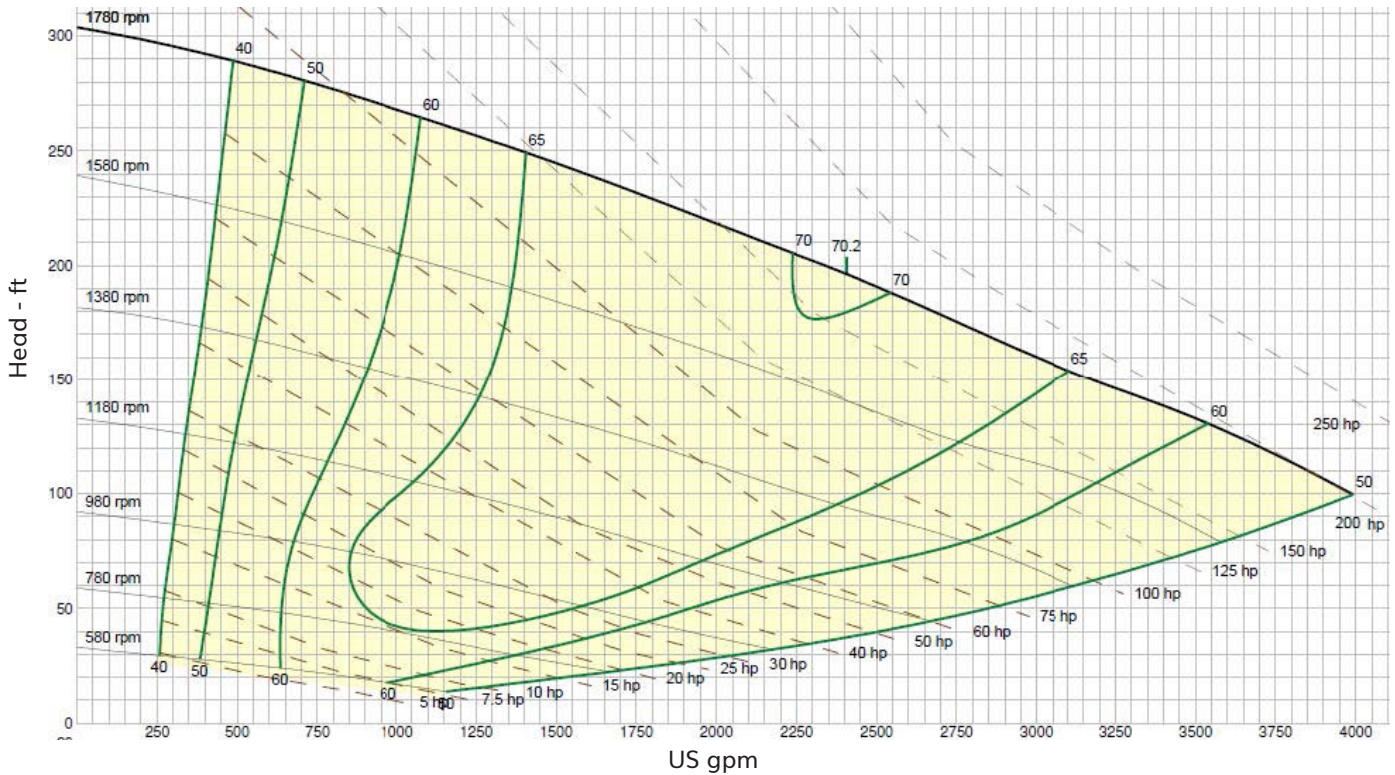


Contact Us Today at 1-855-955-CCIS (2247) or Visit [CrossCountryIS.com](http://CrossCountryIS.com)

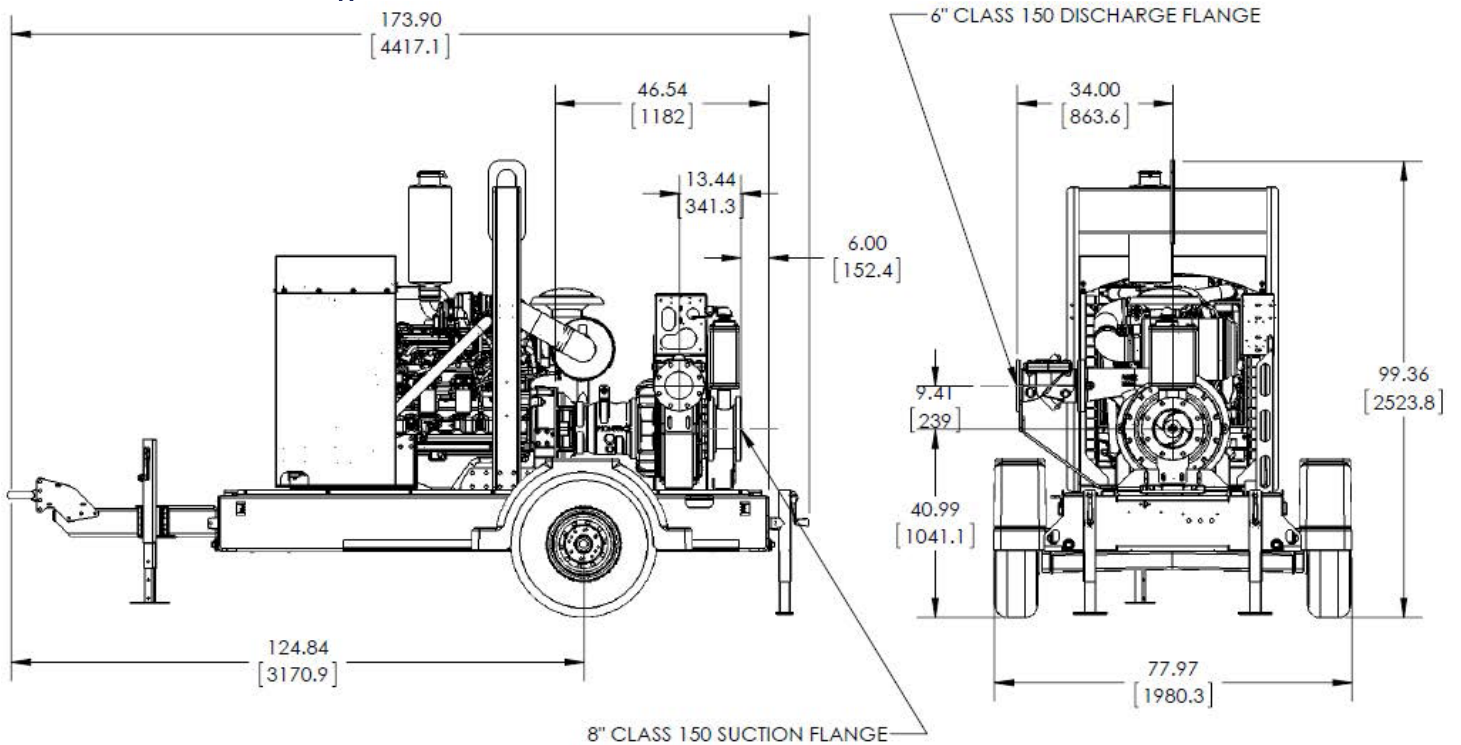
# Specification Data

## Pioneer Venturi Prime - Vacuum Assisted Centrifugal Pump, Diesel-Driven Package

### Performance Curve



### Mechanical Drawing



Contact Us Today at 1-855-955-CCIS (2247) or Visit [CrossCountryIS.com](http://CrossCountryIS.com)