

SCAIP Padding Machine SPD-160 EVO



General Specifications

ENGINE

CATERPILLAR C7.1 ACERT

Type:	Caterpillar
Emission Class	Tier 4 FINAL (U.S. EPA) STAGE V (EU)
Net Horse Power	225 hp 168 kW
Rev Per Minute	2.100 rpm
Displacement	7,01 lt- 428 Cu In

TRANSMISSION

Type	Hydrostatic
Motor	Axial Piston, 1 Speed, Integrated
Brakes	Integrated Multiple Disk Brake, Negative Control
Final Drive	Planetary, In Oil Bath
Max Speed	7,01 lt- 428 Cu In
Pumps	2 Independent, Variable Pumps
Max. Operating Pressure	450 Bar
Max. Flow Rate	200 l/min 52 US gal/min

FLUID FLOW RATE (TIER 4)

Hydraulic Oil Reservoir	465 L / 122 U.S. gal
Fuel Tank	220 L / 58 U.S. gal
Urea Fluid Tank (Def)	34 L / 8 U.S. gal

LOAD COVEYOR

Type	Hydrostatic, Variable Speed Control
Track Chain	Reversible, Two Chains
Max. Operating Pressure	350 Bar
Max. Flow Rate	150 l/min 39US gal/min
Chain	Two, Tractor Type
Max. Shoe Width	1600mm 63 Inc

UNLOADING CONVEYOR

Type	Hydrostatic, variable speed
Belt Type	Rubber
Rotation	Reversible
Width	800mm - 31 1/2 in
Max Length	6000 mm - 240in
Min Length	4500mm -177in
Variable Speed	0-320 m/min (at 300 rpm on drum)

ELECTRICAL SYSTEM

Operating Voltage	24V
Batteries	N ^o 2 - 100 Ah

VIBRATING SCREEN

Type	Hydrostatic
Interchangeable Mesh	From 15x15mm to 60x60mm (1/2" to 2"1/4)
Width	1820mm - 71.5in
Length	2880mm - 113.3in
Area	5.2 m ² - 57 sq ft
No. Screening Levels	1
STD Mesh	25x25mm (1")
Max. Speed	1500rpm

WEIGHT

Operating Weight	26,500 kg / 58,422 lb
------------------	-----------------------

DIMENSIONS

Length	7.9 m / 25'
Width	3 m / 9.85'
Height	3.7 m / 12.3'

**For More Information Call
1-855-955-CCIS (2247)**

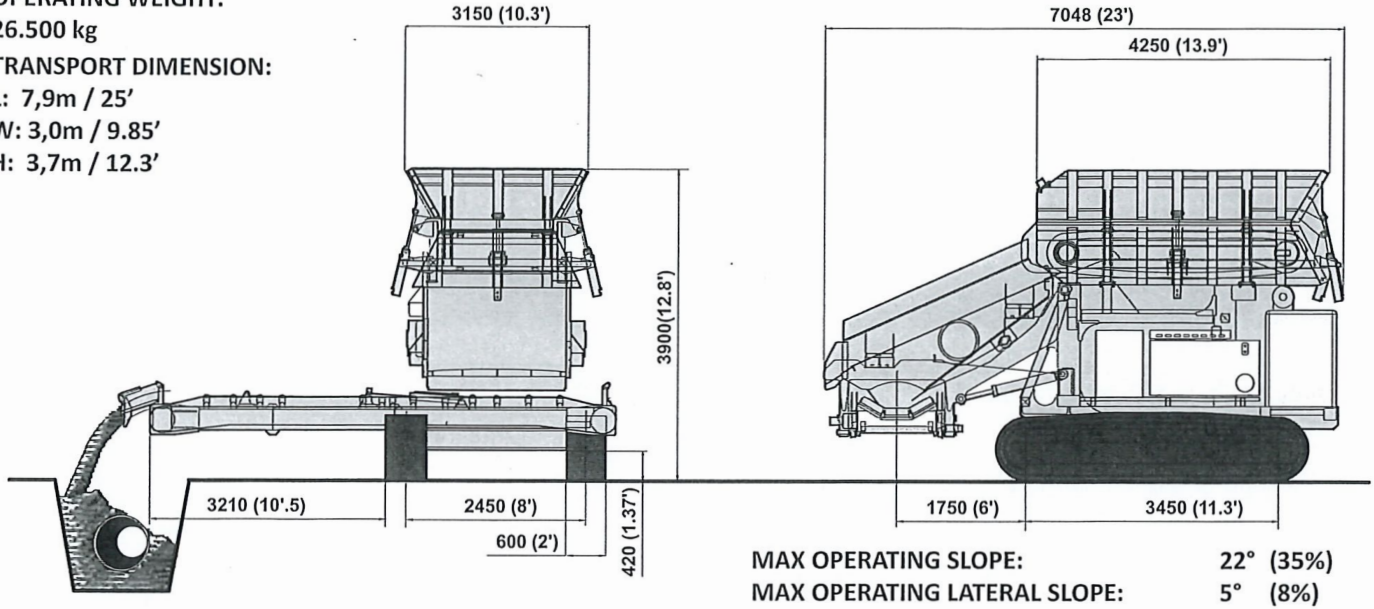
SPD-160 EVO

Dimensions & Weight



OPERATING WEIGHT:
26.500 kg

TRANSPORT DIMENSION:
L: 7,9m / 25'
W: 3,0m / 9.85'
H: 3,7m / 12.3'



For Pricing And Availability Contact Our Sales Team at 1-855-955-GCIS (2247)

