

SCAIP Padding Machine SPD-250 EVO



General Specifications

DIESEL ENGINE

CATERPILLAR C7.1

Type:	Caterpillar
Net Flywheel Power	250 HP - 186 kW
Engine Revolutions	2,100 rpm
Emissions	Tier 4 final / STAGE V

HYDRAULIC SYSTEM

Drive Pumps	#2 independent, variable displacement piston pumps
Max. Flow Rate	177 l/min 47 U.S. Gal/min
Max. Pressure	420 bar 6090 p.s.i.
Escalator Pump	#1 variable displacement piston pump
Max. Flow Rate	110 l/min 29 U.S. Gal/min
Max. Pressure	300 bar 4350 p.s.i.
Main Service Pump	#1 variable displacement piston pump featuring load sensing
Max. Flow Rate	95 l/min 25 U.S. Gal/min
Max. Pressure	250 bar 3625 p.s.i.
Service Pump	#3 gear pumps

SCREEN

Width	1200 mm 4 in
Length	2320 mm 7'7" inc
Screen Area	2.8 M ² - 30 Sq Ft
No. Screening Levels	1
Screening Capacity (2"Mesh)	110 m ² /h 3887 ft ² /h

ESCALATOR

Type	Hydrostatic, Variable Speed Control
Motors	#1 fixed displacement piston motors
Final Drives	epicycloid, oil bath
Rotation	reversible
Chain	double
Shoes	990 mm 3'3" in
Max. Speed	80 m/min 262 ft/min
Blade Depth (From Ground)	270 mm 11 in
Max. Blade Height (From Ground)	1000 mm 40 in
Escalator Capacity*	92 m ³ /h 3250 ft ³ /h

*the output capacity mentioned here is just an indication as it depends on different factors such as the type of soil, moisture content, etc.

UNLOADING CONVEYOR

VARIABLE SPEED	0-420 m/min 1443 ft/min
Width	600 mm 35 in
Length	5.55 m 18.2 ft

TANK CAPACITY

FUEL TANK	365 L / 96 Gal
HYDRAULIC SYSTEM TANK	440 L / 116 Gal

ELECTRICAL SYSTEM

Operating Voltage	24V
No. Of Maintenance Free Batteries	2
Capacity (Total)	2x160 Ah
Starter Motor Power	7.5kw

TRACKED CARRIAGE

Bottom Rollers	2
Top Rollers	8
Width Of Tracks	2.000 mm 7" in
Distance Between Tracks	3,110 mm 10' 811 in
Shoe Width	550 mm 21.5" in
Area In Contact With Ground	37,950 cm ² 14,941 in ²
Specific Pressure On Ground (Loadless)	0,76 kg/ cm ² 0.23 lbs/in ²

WEIGHT

Operating Weight	29,000 kg / 64,000 lbs
------------------	------------------------

DIMENSIONS

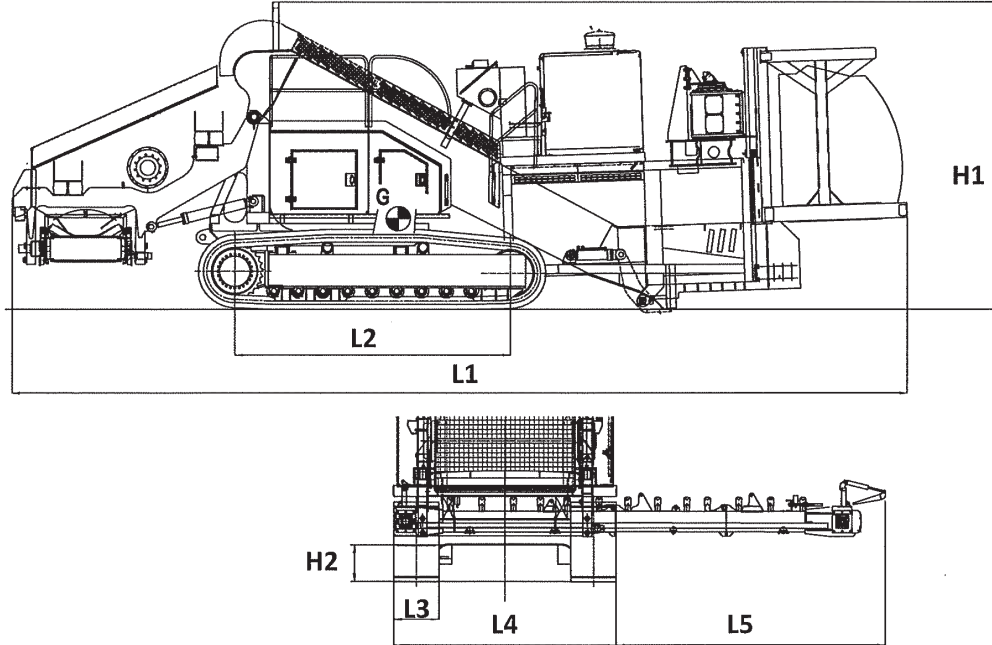
Length	11.30 m / 37.0 ft
Width	2.55 m / 8.37 ft
Height	3.5 m / 12.13 ft

SPD-250 EVO

Dimensions



2.3. Overall dimensions



POS	DIMENSION	
L1	11,30 m	40.0 ft
L2	3,45 m	12.3 ft
L3	0,55 m	2.0 ft
L4	2,55 m	9.85 ft

POS	DIMENSION	
L5	5,50 m	12.0 ft
H1	3,45 m	13.8 ft
H2	0,50 m	1.63 ft

For Pricing And Availability Contact Our Sales Team at 1-855-955-CGIS (2247)

